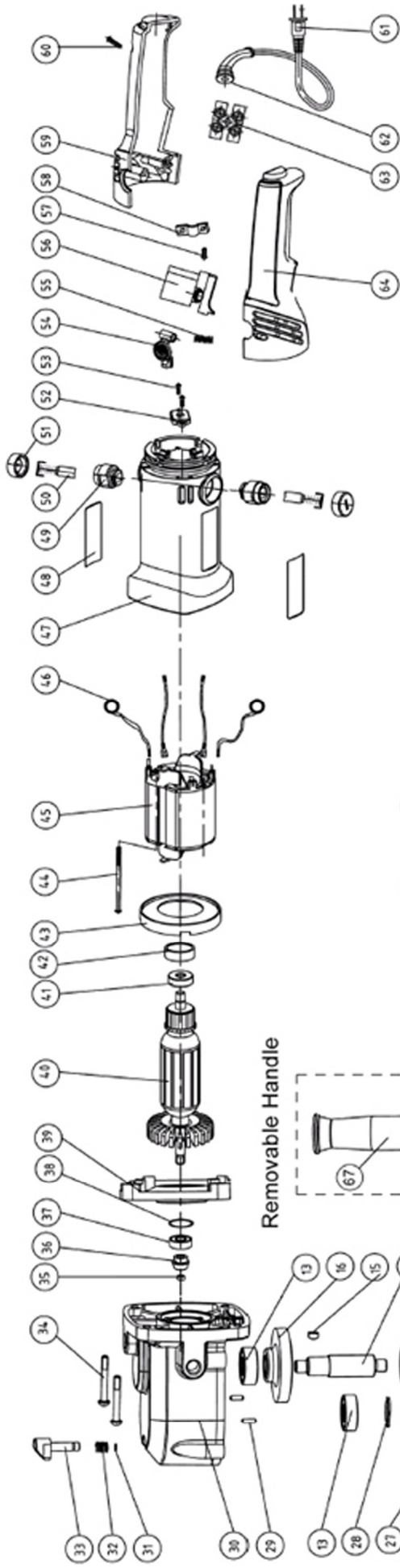
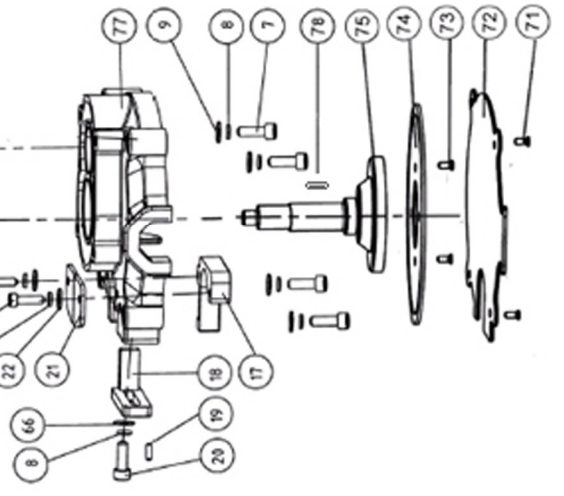
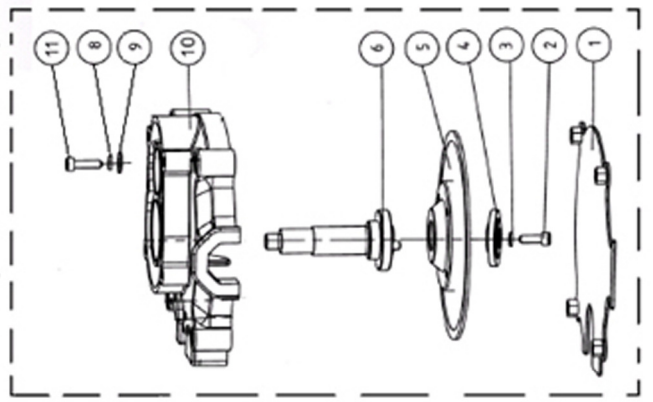


BNCE-20 | THE CUTTING EDGE SAW

PARTS BREAKDOWN



Old Style Blade Assembly ...



Spare Parts List For BNCE-20
(The Cutting Edge Saw)

** Quantities are recommended amounts, prices listed per each part and subject to change*

NO.	Parts Name	Qty	Part Number	Price (ea)
1	Blade Cover	1	BNCEP-01	\$4.95
2	Hexagon Socket Head Cap Head Screw	1	BNCEP-02	\$0.16
3	Retaining Washer	1	BNCEP-03	\$0.13
4	Blade Flange	1	BNCEP-04	\$9.95
5	Blade with Hub	1	RB-BNCE-20	\$19.99
6	Cutting Blade Spindle	1	BNCEP-06	\$5.54
7	Hexagon Socket Head Cap Head Screw M5x30	4	BNCEP-07	\$0.25
8	Lockwasher	9	BNCEP-08	\$0.13
9	Washer 5mm	8	BNCEP-09	\$0.13
10	Aluminum Blade Housing	1	BNCEP-10	\$11.94
11	Hexagon Socket Head Cap Head Screw M5x20	4	BNCEP-11	\$0.25
12	Gear Housing Gasket	1	BNCEP-12	\$0.74
13	Ball Bearing 628Z	3	BNCEP-13	\$4.04
14	Gear Shaft (See BNCEP-16)	1	BNCEP-14	---
15	Woodruff Key	1	BNCEP-15	\$0.64
16	Bevel Gear Assembly (incl. Gear Shaft)	1	BNCEP-16	\$15.08
17	Fixed Cutting Guide	1	BNCEP-17	\$3.42
18	Movable Cutting Guide	1	BNCEP-18	\$3.42
19	Pin A5x10	1	BNCEP-19	\$0.25
20	Hexagon Socket Head Cap Head Screw M5x15	1	BNCEP-20	\$0.25
21	Left and Right Rubber Guard	1	BNCEP-21	\$0.38
22	Washer 5mm	2	BNCEP-22	\$0.13
23	Lock Washer 4mm	2	BNCEP-23	\$0.13
24	Hexagon Socket Head Cap Head Screw M4-20	2	BNCEP-24	\$0.25
25	Ball Bearing 6002-2RS	1	BNCEP-25	\$3.82
26	Spacer	1	BNCEP-26	\$0.38
27	Big Gear	1	BNCEP-27	\$9.00
28	Shaft Clip 15	1	BNCEP-28	\$0.16
29	Pin A5x16	2	BNCEP-29	\$0.38
30	Aluminum Gear Housing	1	BNCEP-30	\$9.95
31	Steel Ring 6mm	1	BNCEP-31	\$0.20
32	Spring for Blade Lock	1	BNCEP-32	\$0.23
33	Lock Button for Blade	1	BNCEP-33	\$1.89
34	Phillips Pan Head Tapping Screw ST4.2x32	4	BNCEP-34	\$0.16
35	Hex Nut M6	1	BNCEP-35	\$0.16
36	Bevel Pinion	1	BNCEP-36	\$4.99
37	Ball Bearing 6002-2Z	1	BNCEP-37	\$2.60
38	O-Ring 25x2	1	BNCEP-38	\$0.38
39	Center Housing Plate	1	BNCEP-39	\$3.32
40	Armature	1	BNCEP-40	\$23.58
41	Ball Bearing 607-2RS	1	BNCEP-41	\$3.68
42	Bearing Bushing	1	BNCEP-42	\$1.48

NO.	Parts Name	Qty	Part Number	Price (ea)
43	Fan Guide	1	BNCEP-43	\$0.74
44	Phillips Head Tapping Screw ST4.2x70	2	BNCEP-44	\$0.20
45	Stator	1	BNCEP-45	\$18.64
46	Terminal	2	BNCEP-46	\$0.38
47	Motor Housing	1	BNCEP-47	\$11.11
48	Name Plate	1	BNCEP-48	
49	Brush Holder	2	BNCEP-49	\$3.74
50	Carbon Brush	2	BNCEP-50	\$3.57
51	Brush Cap	2	BNCEP-51	\$0.89
52	Plate For Inner Wire	1	BNCEP-52	\$1.10
53	Phillips Pan Head Tapping Screw ST2.9x9.5	2	BNCEP-53	\$0.16
54	Rotation Button for Handle	1	BNCEP-54	\$0.94
55	Spring for Rotation Button	1	BNCEP-55	\$0.33
56	Trigger Switch	1	BNCEP-56	\$4.38
57	Phillips Pan Head Tapping Screw ST4.2x13	2	BNCEP-57	\$0.16
58	Cord Retaining Clamp	1	BNCEP-58	\$0.38
59	Right Handle	1	BNCEP-59	\$5.12
60	Phillips Pan Head Tapping Screw ST4.2x16	4	BNCEP-60	\$0.16
61	Power Cord	1	BNCEP-61	\$8.07
62	Cord Armor	1	BNCEP-62	\$0.38
63	Terminal	1	BNCEP-63	\$0.74
64	Left Handle	1	BNCEP-64	\$3.98
66	Washer 5mm	1	BNCEP-66	\$0.16
67	Three Position Side Handle	1	BNCEP-67	\$4.27
68	Particle Collection Bag	1	BNCEP-68	

New Style Blade Assembly

71	Hexagon Socket Countersunk Head Bolt M5x15	4	BNCEP1-71	\$0.16
72	Blade Cover	1	BNCEP1-72	\$3.85
73	Hexagon Socket Countersunk Head Bolt M5x8	4	BNCEP1-73	\$0.38
74	Blade Without Hub	1	RB-BNCE-NH	\$19.99
75	Blade Flange & Spindle - New Style	1	BNCEP1-75	\$14.94
77	Aluminum Blade Housing	1	BNCEP1-77	\$6.64
78	Key for Blade Spindle	1	BNCEP1-78	\$0.85